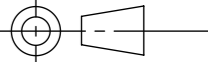
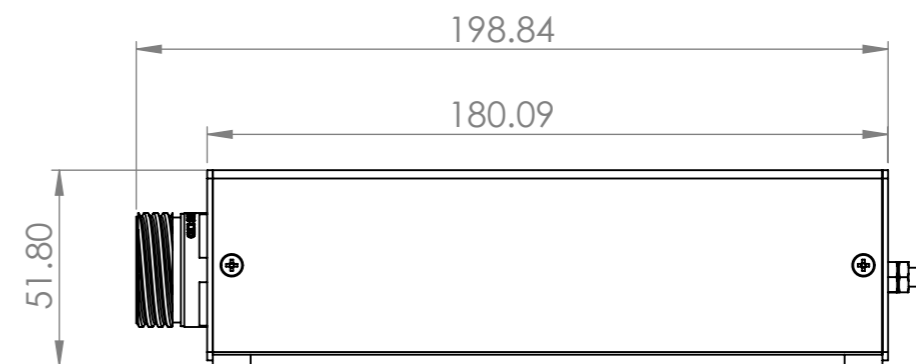
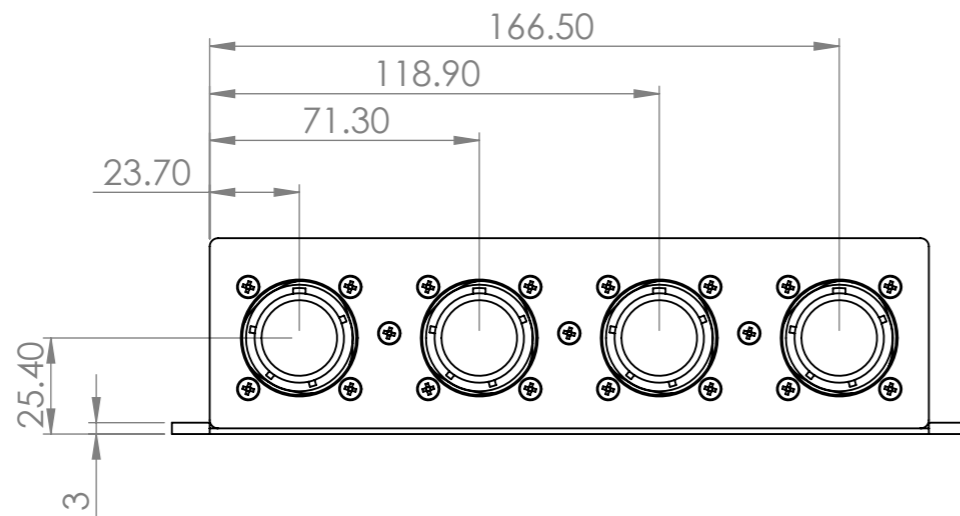
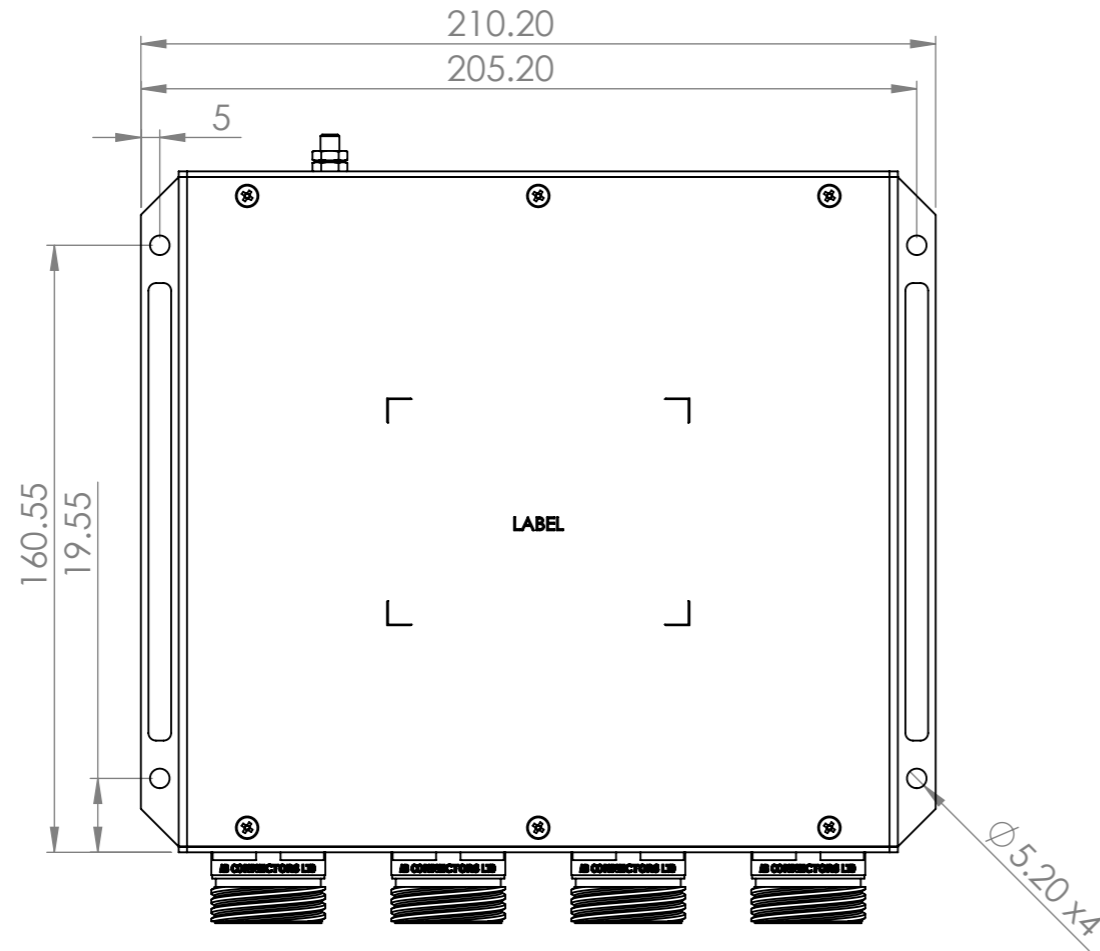
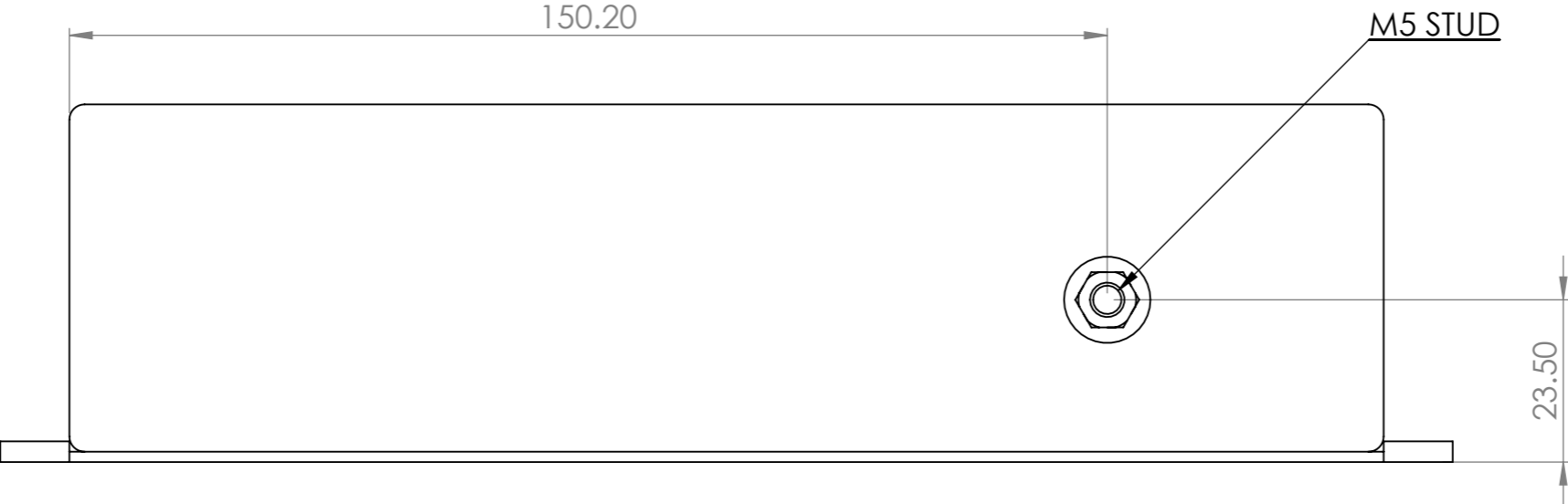

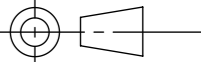
 Excellence in Aerospace Electronics	Quadrant Avionics limited			THIRD ANGLE 
	DRAWN	S.Digby-Baker	07/04/2015	Original Signed
This drawing is derived from CAD data and should not be manually modified. All changes should be made via the original author. This drawing and its contents are copyright Quadrant Avionics Ltd. and may not be reproduced by any means without permission and should be considered confidential.	CHECKED			
	QUALITY			
Unless otherwise specified, all dimensions are in millimetres and tolerances are $\pm 0.1\text{mm}$	APPROVED	J.Sullivan	07/04/2015	Original Signed
DWG NO:	32-10437-1	Revision	1	
IF IN DOUBT ASK: Quadrant (01795) 859380	Integra VX-6200-200 16 Port Gigabit Switch - General Assembly			SHEET 1 OF 3



<p><b>QUADRANT</b> AVIONICS</p> <p>Excellence in Aerospace Electronics</p> <p><small>This drawing is derived from CAD data and should not be manually modified. All changes should be made via the original author.</small></p> <p><small>This drawing and its contents are copyright Quadrant Avionics Ltd. and may not be reproduced by any means without permission and should be considered confidential.</small></p> <p><small>Unless otherwise specified, all dimensions are in millimetres and tolerances are <math>\pm 0.1\text{mm}</math>.</small></p> <p>IF IN DOUBT ASK: Quadrant (01795) 859380</p>	Quadrant Avionics limited			THIRD ANGLE 
	DRAWN	S.Digby-Baker	07/04/2015	Original Signed
CHECKED				
QUALITY				
APPROVED	J.Sullivan	07/04/2015	Original Signed	
DWG NO:	32-10437-1	Revision	1	
Integra VX-6200-200 16 Port Gigabit Switch - General Assembly			SHEET 2 OF 3	



 <p><b>QUADRANT</b> <i>AVIONICS</i></p> <p>Excellence in Aerospace Electronics</p>	Quadrant Avionics limited			THIRD ANGLE 
	DRAWN	S.Digby-Baker	07/04/2015	Original Signed
<small>This drawing is derived from CAD data and should not be manually modified. All changes should be made via the original author</small> <small>This drawing and its contents are copyright Quadrant Avionics Ltd. and may not be reproduced by any means without permission and should be considered confidential</small>	CHECKED			
	QUALITY			
<small>Unless otherwise specified, all dimensions are in millimetres and tolerances are ±0.1mm</small>	APPROVED	J.Sullivan	07/04/2015	Original Signed
IF IN DOUBT ASK: Quadrant (01795) 859380	DWG NO:	32-10437-1	Revision 1	
Integra VX-6200-200 16 Port Gigabit Switch - General Assembly				SHEET 3 OF 3